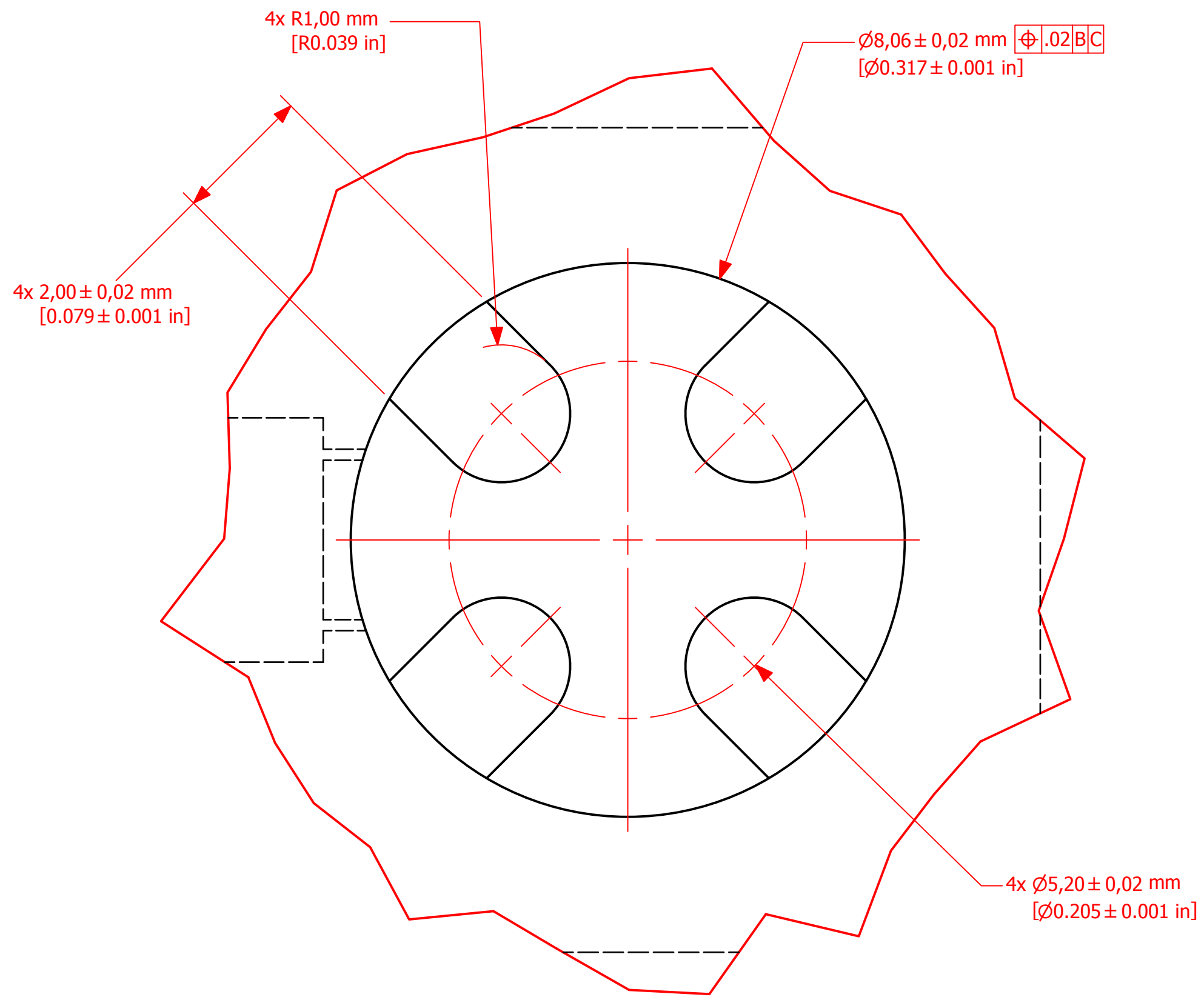
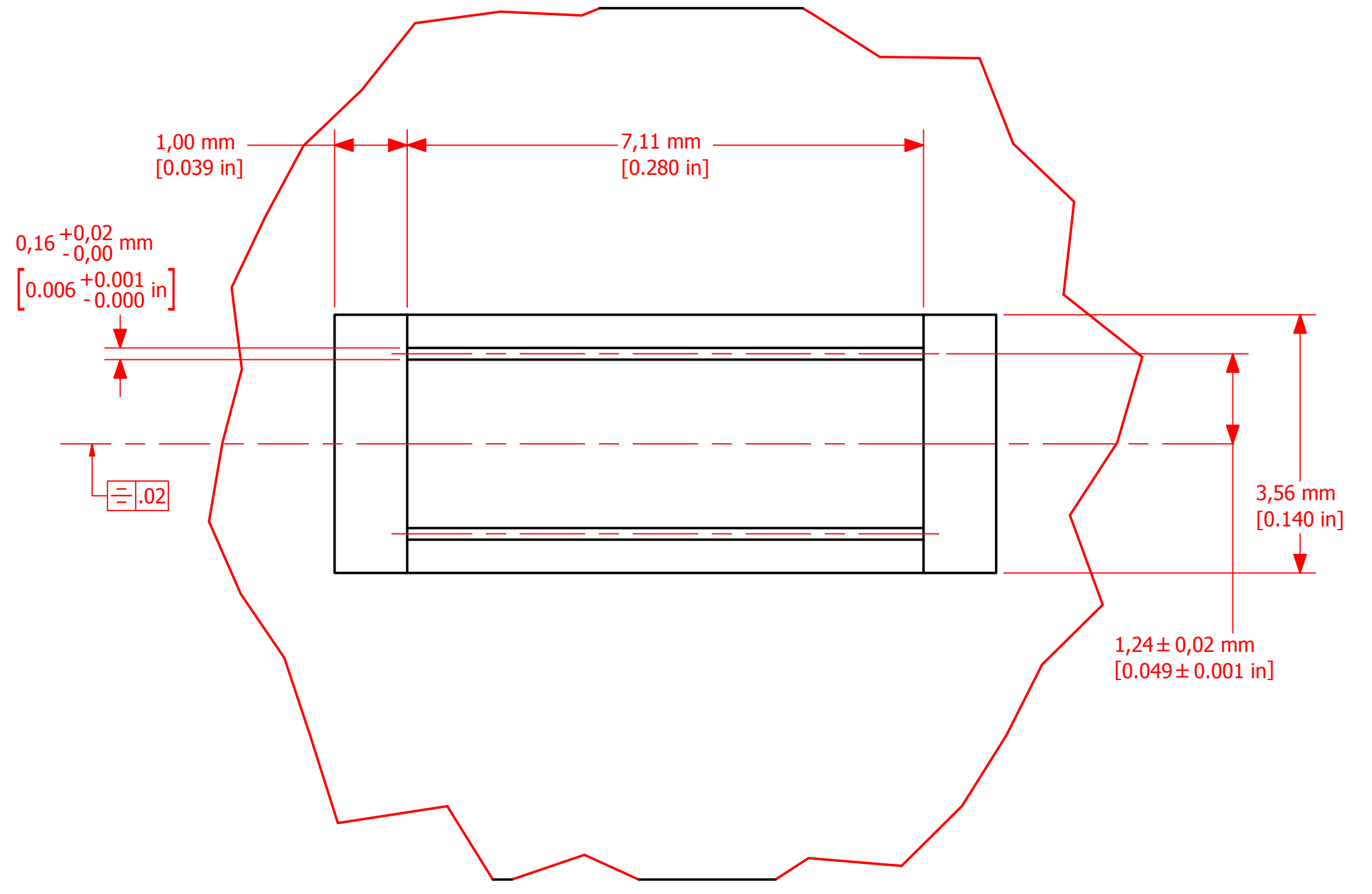


DRAWN	Jason W. Sidabras	26/03/2017	Max Planck Chemical Energy Conversion	
CHECKED			TITLE	
QA			ReEnt TE01U Q-band	
MFG			SIZE	DWG NO
APPROVED			A2	TE01U-ReEntBody
			SCALE	REV
			4	002
			SHEET 1 OF 7	

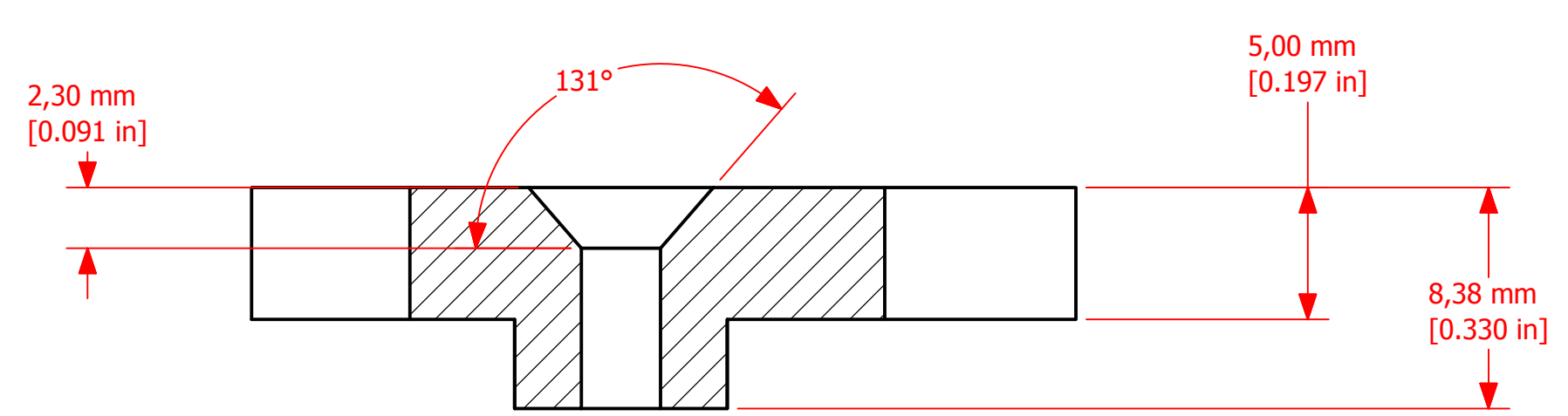
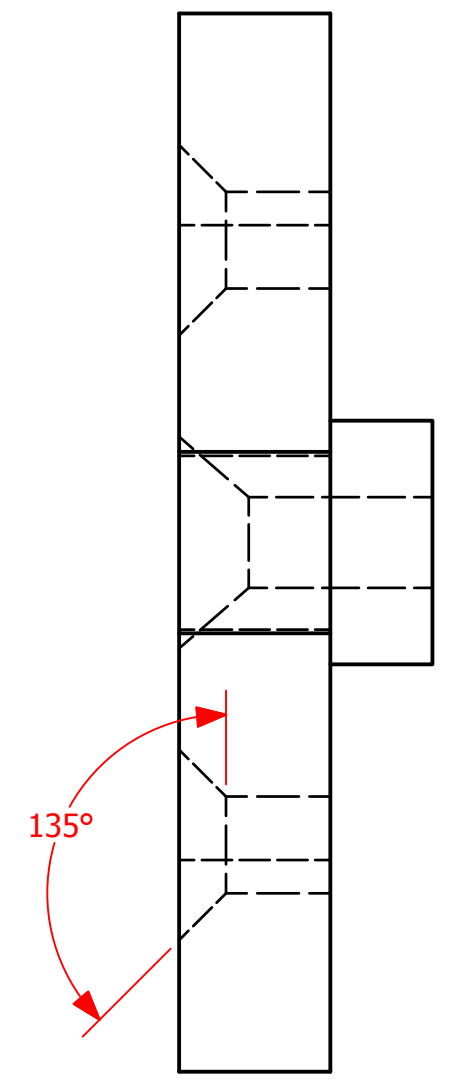
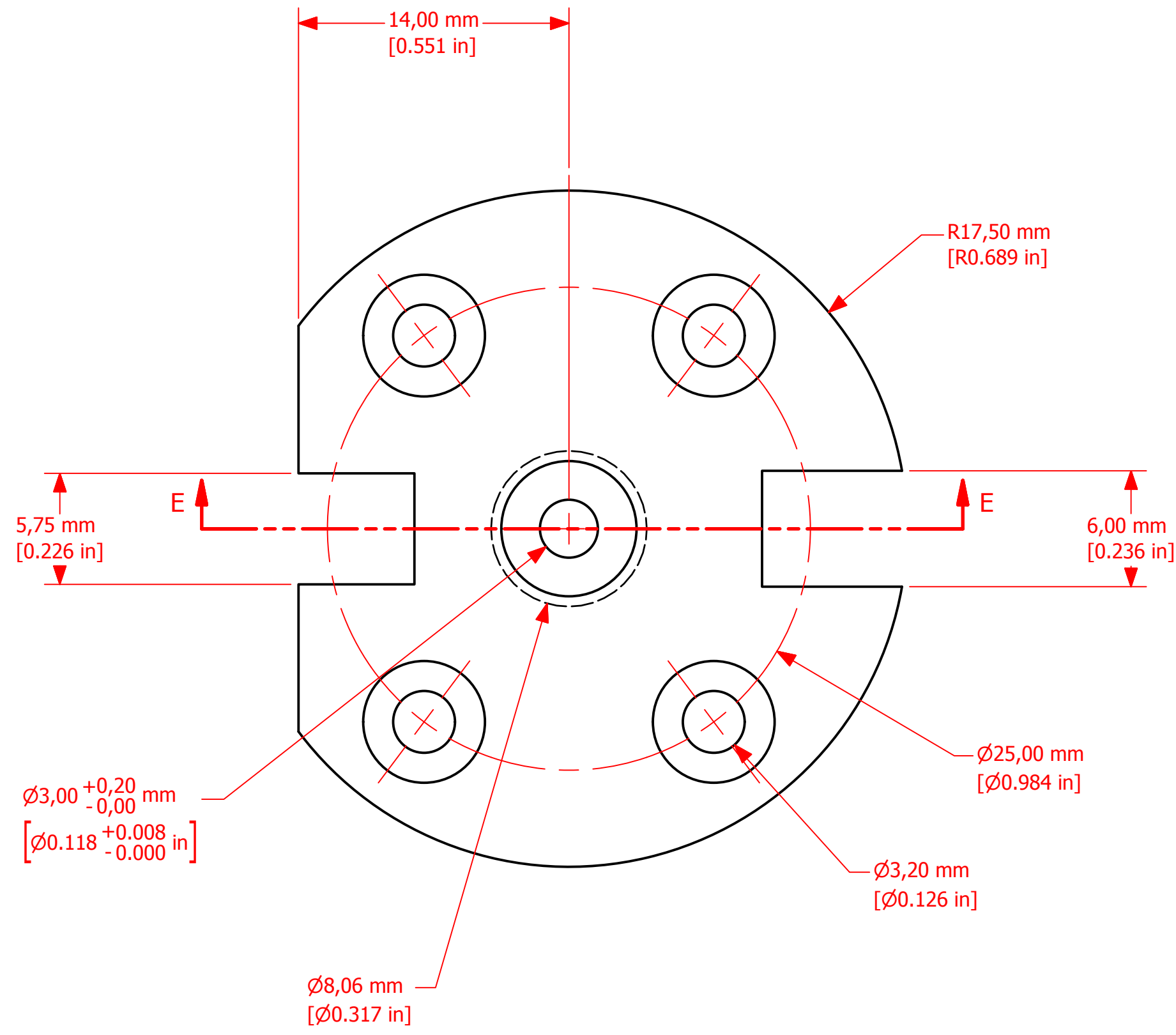


DETAIL A
SCALE 15



DETAIL C
SCALE 15

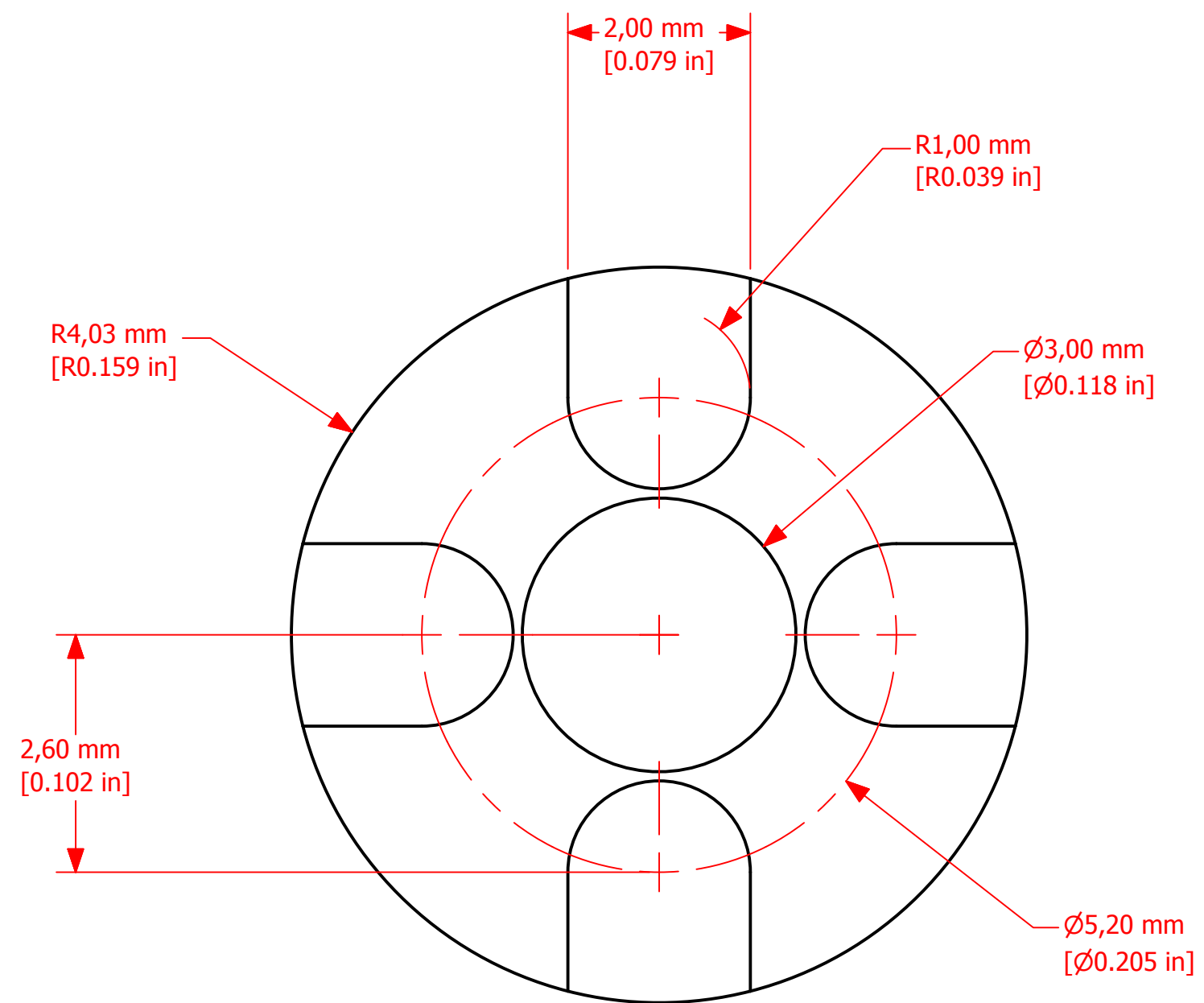
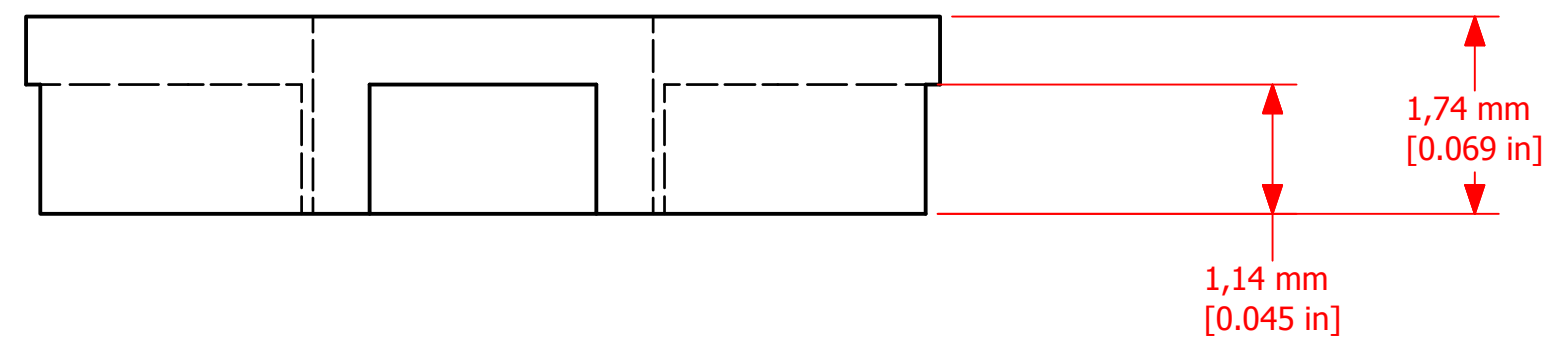
DRAWN Jason W. Sidabras	26/03/2017	Max Planck Chemical Energy Conversion		
CHECKED		TITLE		
QA		ReEnt TE01U Q-band		
MFG		SIZE A2	DWG NO TE01U-ReEntBody	REV 002
APPROVED		SCALE 15	SHEET 2 OF 7	



SECTION E-E
SCALE 4

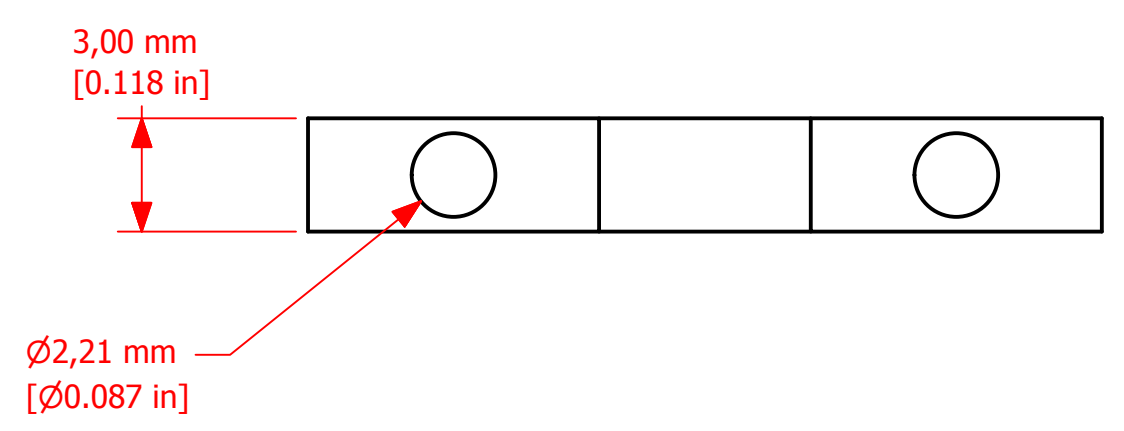
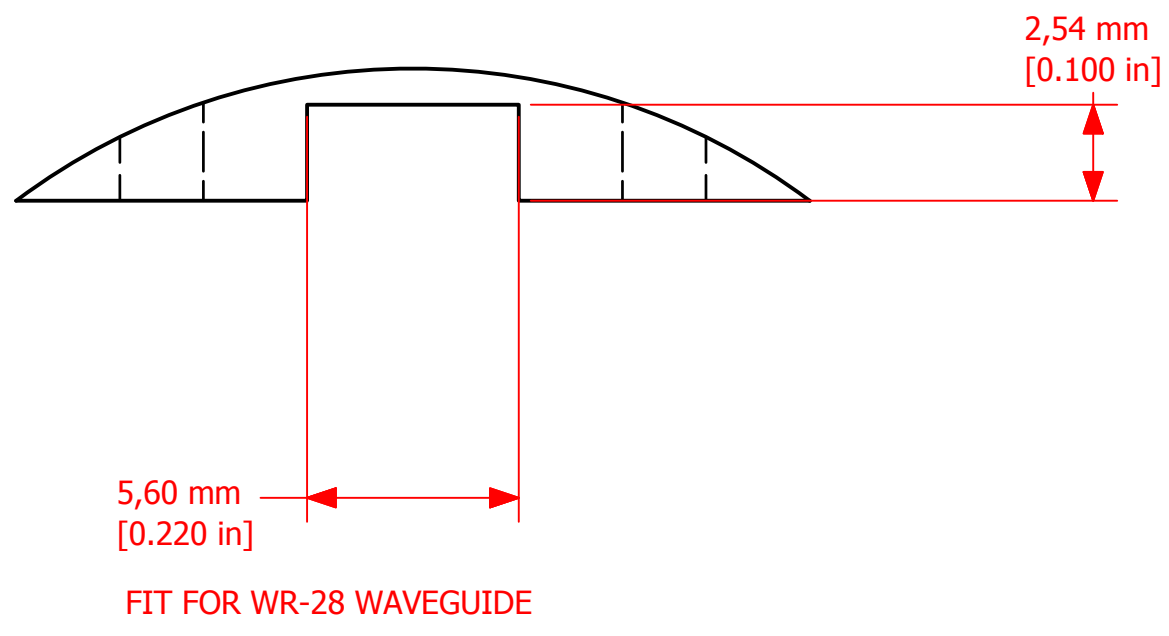
MATERIAL: BRASS
QTY: 2 PCS

DRAWN Jason W. Sidabras	26/03/2017	Max Planck Chemical Energy Conversion		
CHECKED		TITLE		
QA		ReEnt TE01U Q-band		
MFG				
APPROVED				
		SIZE A2	DWG NO TE01U-ReEntBody	REV 002
		SCALE 4	SHEET 3 OF 7	



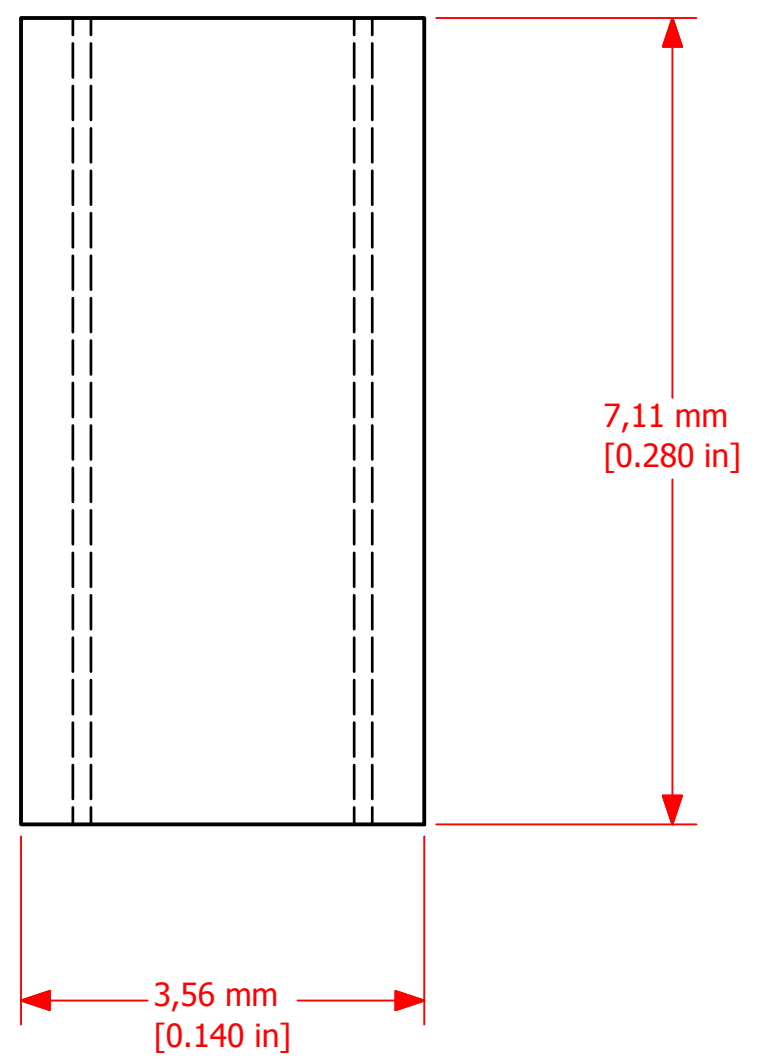
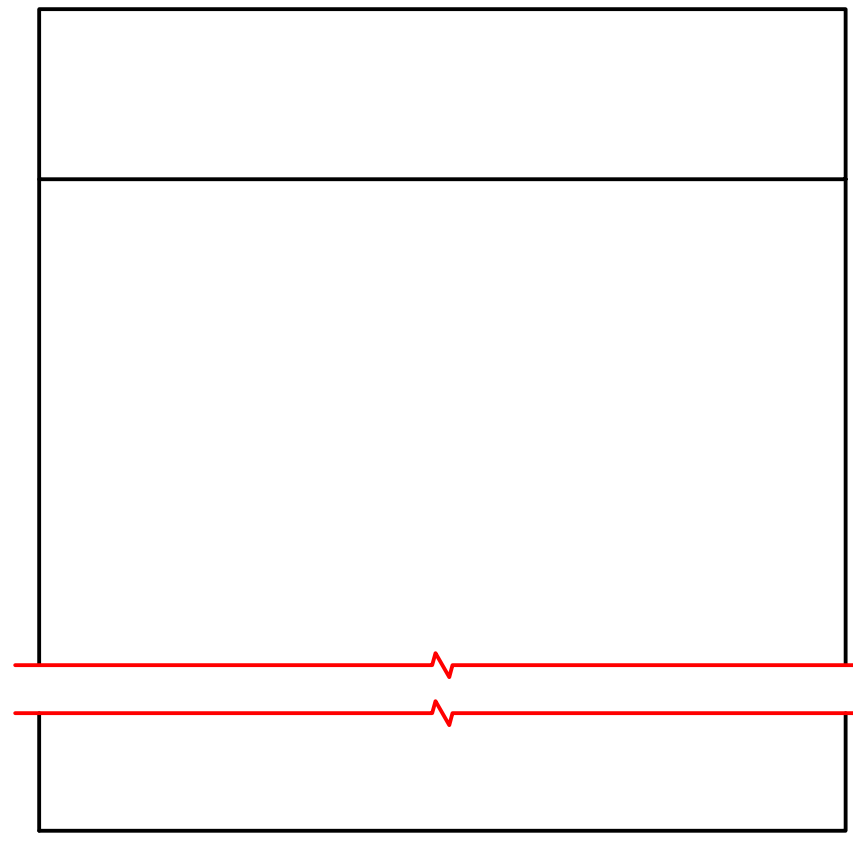
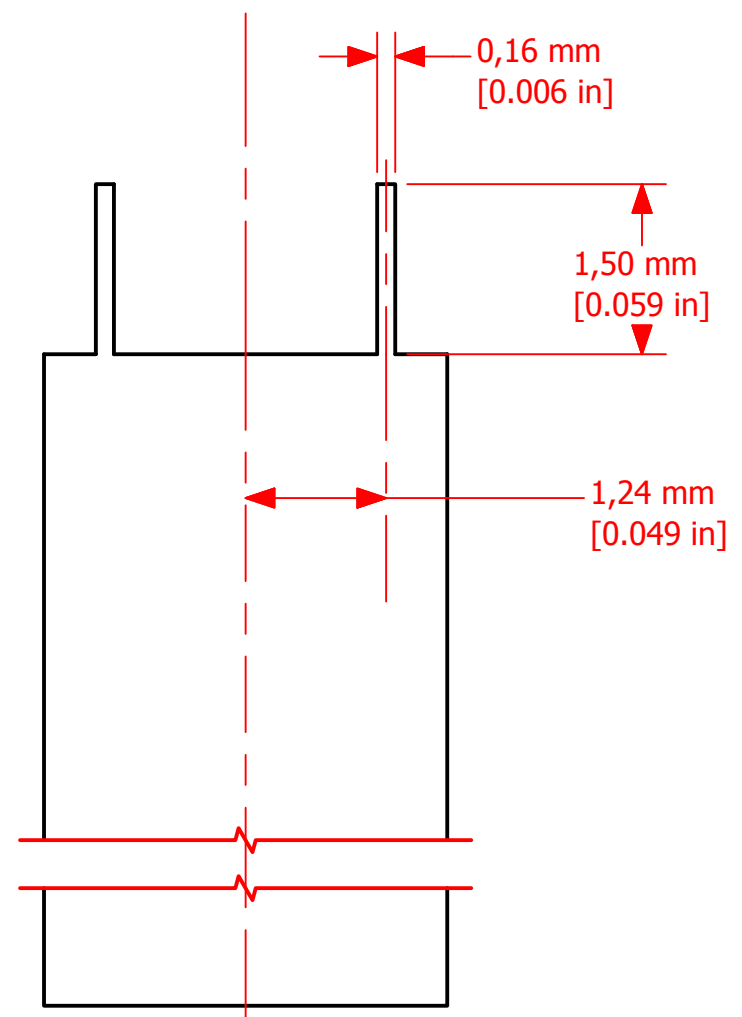
MATERIAL: REXOLITE
QTY: 2 PCS

DRAWN Jason W. Sidabras	26/03/2017	Max Planck Chemical Energy Conversion		
CHECKED		TITLE		
QA		ReEnt TE01U Q-band		
MFG				
APPROVED				
		SIZE A2	DWG NO TE01U-ReEntBody	REV 002
		SCALE 1:5	SHEET 4 OF 7	

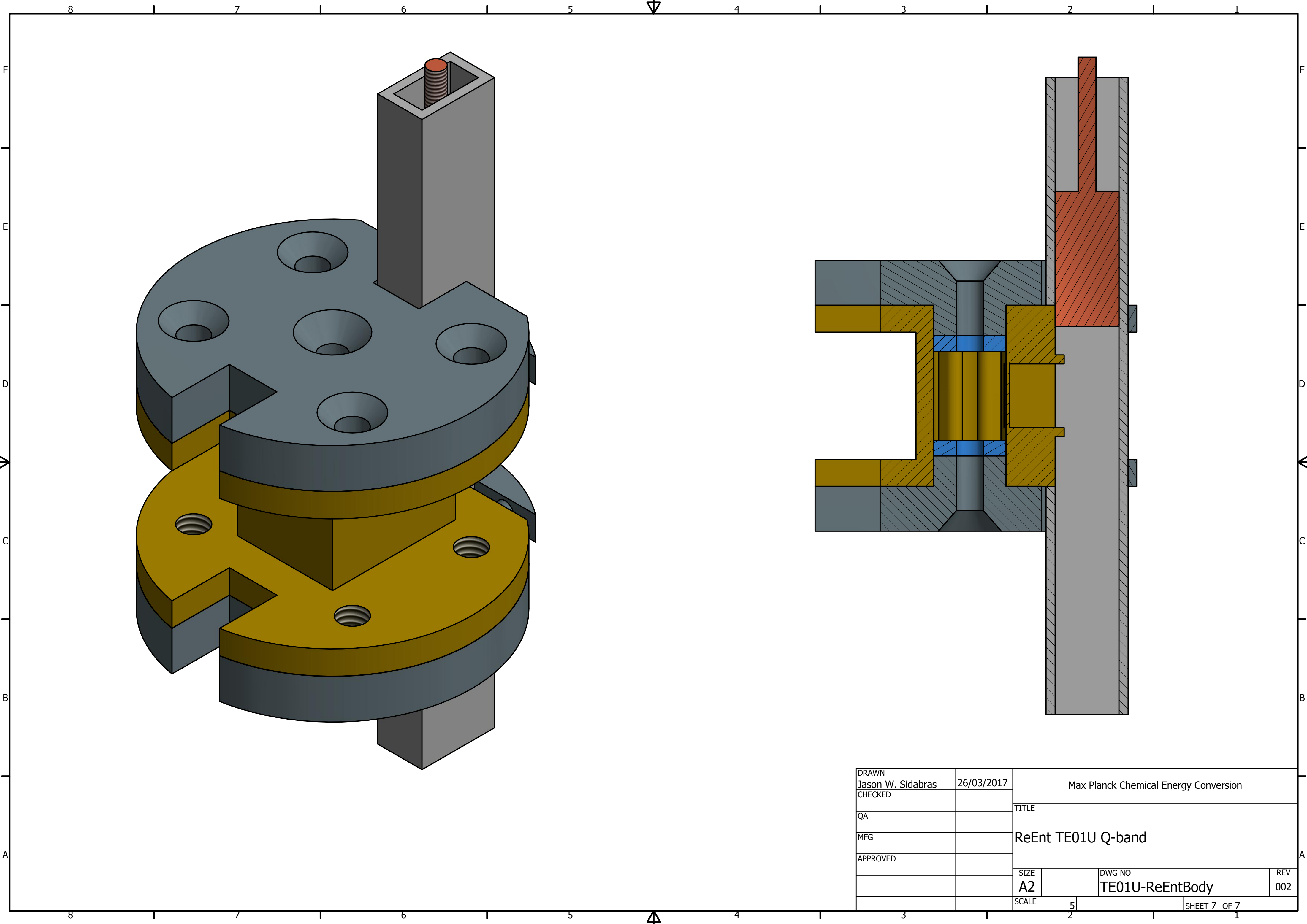


MATERIAL: BRASS
QTY: 2 PCS

DRAWN Jason W. Sidabras	26/03/2017	Max Planck Chemical Energy Conversion		
CHECKED		TITLE		
QA		ReEnt TE01U Q-band		
MFG				
APPROVED				
		SIZE A2	DWG NO TE01U-ReEntBody	REV 002
		SCALE 5	SHEET 5 OF 7	



DRAWN	Jason W. Sidabras	26/03/2017	Max Planck Chemical Energy Conversion		
CHECKED			TITLE		
QA			ReEnt TE01U Q-band		
MFG					
APPROVED					
			SIZE	DWG NO	REV
			A2	TE01U-ReEntBody	002
			SCALE	15	SHEET 6 OF 7



DRAWN	Jason W. Sidabras	26/03/2017	Max Planck Chemical Energy Conversion		
CHECKED			TITLE		
QA			ReEnt TE01U Q-band		
MFG					
APPROVED					
			SIZE	DWG NO	REV
			A2	TE01U-ReEntBody	002
			SCALE	5	SHEET 7 OF 7